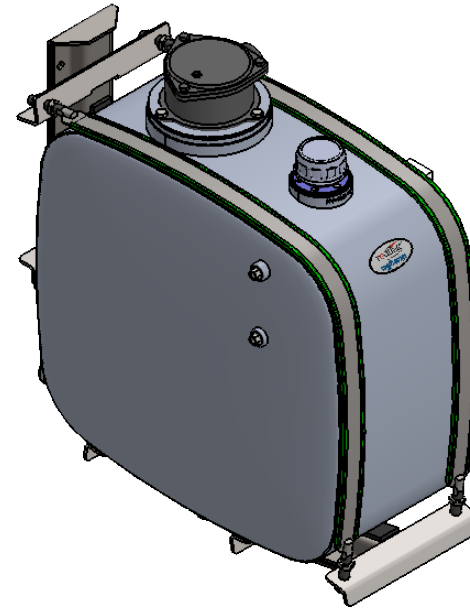
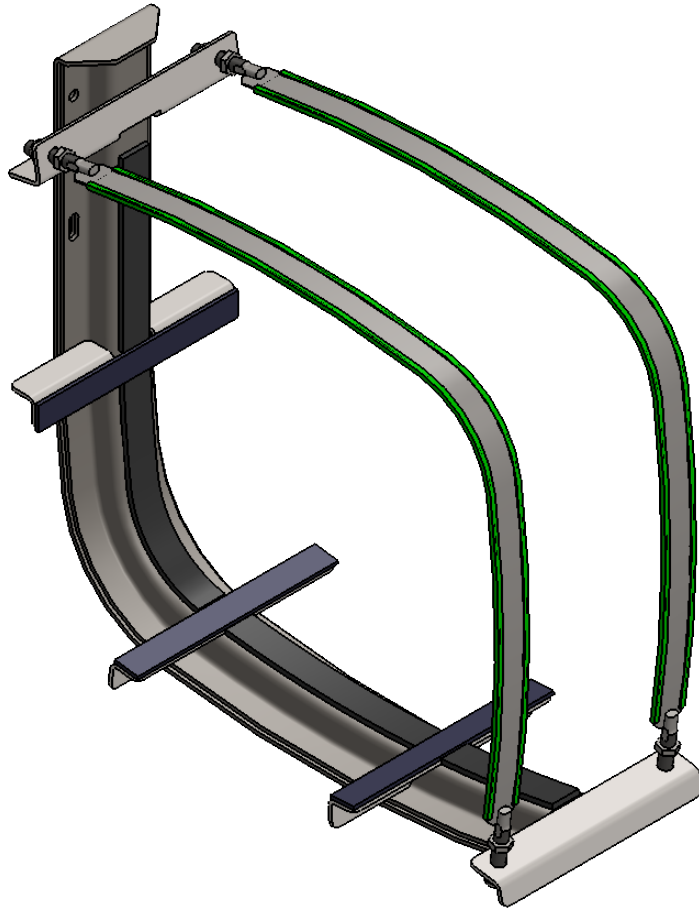
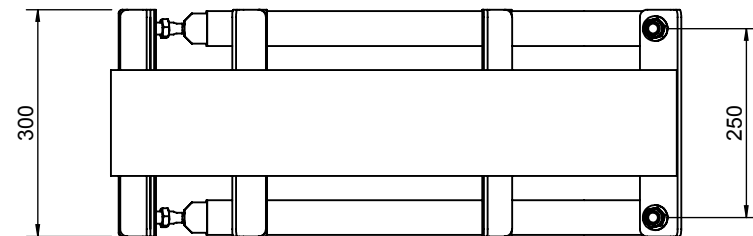
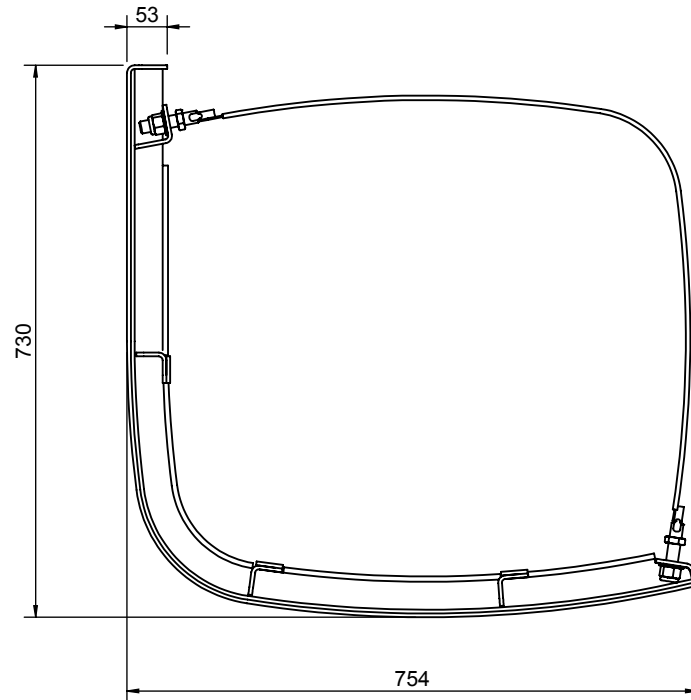
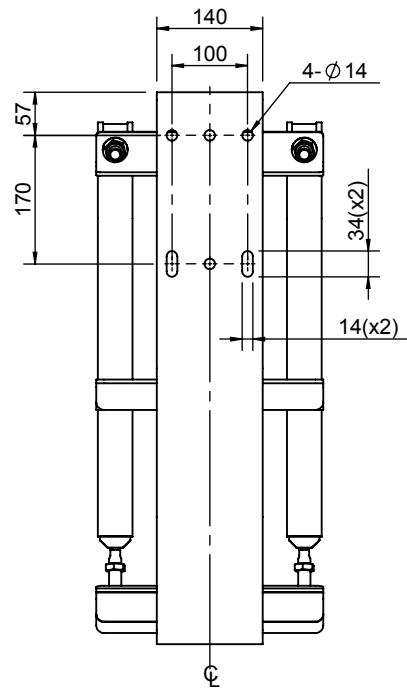
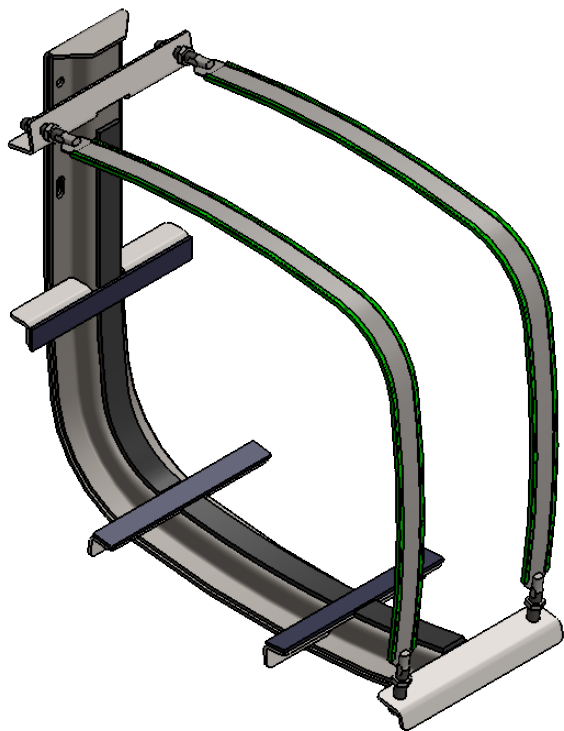


REVISIONS			
PRO REV	DATE	ALTERATION	AUTH
0	24-01-2019	AS PER CLIENT'S DRAWING	V1422



MO:	Batch:	Product Description: Reid&Twiname Square Oval Hidraulic Oil Tank L Bracket - 125L	0	24-01-2019	AS PER CLIENT'S DRAWING				V1422			
Quantity Batch:		Product Code: <b>001-002-2150NZ</b>	PRO REV.	DATE	ALTERATION				AUTH.			
Contract #:		Dwg Description: <b>REVISION TABLE</b>	Selection	>0-6	>6-30	>30-120	>120-400	>400-1000	>1000-2000	>2000-4000	>4000-8000	Angle Tolerance
Contract Ref:		Client: <b>RED FLAG/REID &amp; TWINAME</b>		±0.05	±0.05	±0.1	±0.15	±0.2	±0.3	±0.5	±0.8	±1.5°
Approved By:	Date:	Client Dwg Ref: -	→	±0.2	±0.5	±0.5	±1	±1	±1	±1.5	±3	
Signature By:	Date:	Client Rev: <b>0</b>		±0.15	±0.2	±0.5	±0.8	±1.2	±2	±3	±4	
		Product Finish: <b>Bracket : Black/Smooth/Matt 25+-5/RAL 9005 Strap : Mirror</b>	NOTE: All dimensions in mm (unless noted otherwise)				W = (Kg)		Sheet 1 of 3		3rd Angle Projection	



MO:	Batch:	Product Description: Reid&Twiname Square Oval Hidraulic Oil Tank L Bracket - 125L	0	24-01-2019	AS PER CLIENT'S DRAWING					V1422			
Quantity Batch:		Product Code: <b>001-002-2150NZ</b>	PRO REV.	DATE	ALTERATION					AUTH.			
Contract #:		Dwg Description: <b>DETAIL DRAWING</b>	Selection	0.5-3	>3-6	>6-30	>30-120	>120-400	>400-1000	>1000-2000	>2000-4000	>4000-8000	Angle Tolerance
Contract Ref:		Client: <b>RED FLAG/REID &amp; TWINAME</b>		±0.05	±0.05	±0.1	±0.15	±0.2	±0.3	±0.5	±0.8	-	±1°
Approved By:	Date:	Client Dwg Ref: -		±0.1	±0.1	±0.2	±0.3	±0.5	±0.8	±1.2	±2	±3	
Signature By:	Date:	Client Rev: <b>0</b>	➔	±0.15	±0.2	±0.5	±0.8	±1.2	±2	±3	±4	±5	
		Product Finish: <b>Bracket : Black/Smooth/Matt 25+-5/RAL 9005 Strap : Mirror</b>	NOTE: All dimensions in mm (unless noted otherwise)					W =24.53 (Kg)	<b>Sheet 3 of 3</b>		3rd Angle Projection		